

Bottom Bracket Shells - Cast

All Shells are for BSA thread unless otherwise indicated.

Standard Size 28.6 x 28.6mm.



Oversize - 31.7 x 28.6mm



Over-Oversize



Megatube



ATB.



Bottom Bracket Shells

All Shells are for BSA thread unless otherwise indicated.



445.30. 28.6x28.6x22.2mm. Cast Bottom Bracket Shell. 59x64°.

Nash. 28.6x28.6x22.2mm. 60.30x62.30° Flat top to sides for engraving.

Shaula. 28.6x28.6x22.2mm Cast Shell. With Tunnels. Italian Threads only. 60.5x62.5°.

SPOILER. 28.6x28.6x22.2mm. Cast Shell. Tunnels built into spoiler in base of shell. BSA or Italian.

COLUMBUS

saba

saba

saba

SILVA

MAX Cast Bottom Bracket Shell. To fit Columbus MAX Oval tubing. 60.30x62.30°.

831 Cast Bottom Bracket Shell. 30/17mm Oval Chain stay ports only

631 Bottom Bracket Sleeve. 38.5mm OD

Mild Steel. 73mm. width. 41.2mm. OD.

Cromoly
597 No Holes. 39mm OD
619 With Holes. 39mm OD
596 Plain. Italian 39mm OD
594 Plain 40mm OD

SILVA

saba

528 - 28.6x28.6x22.2mm 60.5x62.5°

562 - 28.6x28.6x22.2mm. Road Angles. Italian Thread

PRESSED SHELLS

SUPER - 28.6x28.6x22.2mm. 61/63°
731 - 31.7x28.6x22.2mm. 61/63°

EL/OSP - 31.7x28.6x30/17mm 60/64°

THRON - 31.7x28.6x29.5/18mm 60/64°

HADEN

HADEN

HADEN

HADEN

SILVA

Alloy CAM 54mm OD
Alloy CAM 57mm OD (Everest) also available

55.1mm OD - 51.5mm ID
Mild Steel BMX Sleeve.

Tandem Front Sleeve Suitable for Haden CAM Sleeve Partially Split

ATB Shell. Pressed. 67/65.30x10°. 31.7x28.6x22.2mm.

560 - 28.6x28.6x22.2mm. Quality Pressed Racing Shell. Italian Threads.
573 - 31.7x28.6x22.2mm. Pressed ATB shell. Italian.

Fork Crowns - Cast



Crowns are for 25.4 steerer and **28x19mm oval Blades** except where indicated.

'Wheel clearance' refers to the approximate distance between tangs or fitted blades whichever is closer.



Fork Crowns - Cast

For ST Fork Blades



For Round Tubes



24mm Track Crown



Crowns in more than one Version



All Crowns are for 25.4mm Steerer and 28x19mm oval fork blades except where indicated.

The term 'wheel clearance' indicates the approximate distance between the inside tangs of the crown or the fork blades when fitted, whichever is closer.

Lugs - Cast
















EVEREST







Standard Size Road Lugs

Part Oversize

ATB














ATB Oversize

 <p>B710</p>	 <p>P710 P711 P712</p>	 <p>C611</p>	 <p>C71-MT</p>	 <p>LT108M</p>
 <p>B720</p>	 <p>P721 P722</p>	 <p>C621</p>	 <p>C72-MT</p>	 <p>LD108M</p>
 <p>E700 Series</p>	 <p>P701</p>	 <p>C601</p>	 <p>C601</p>	 <p>LS108M</p>
<p>B700 Series</p> <p>B710. Top Lug. 74°. 31.7x25.4mm.</p> <p>B720. Bottom Lug. 60°. 31.7x28.6mm.</p> <p>E700. Seat Lug. 73.30°. 28.6x25.4mm.</p>	<p>P700 Series.</p> <p>P710. Top Lug. 72°.</p> <p>P711. Top Lug. 71°.</p> <p>P712. Top Lug. 73°. 31.7x25.4mm.</p> <p>P721. Bottom Lug. 58.45°.</p> <p>P722. Bottom Lug. 60.30°. 31.7x28.6mm</p> <p>P701. Seat Lug. 72°. 28.6x25.4mm.</p>	<p>C600 Series</p> <p>C611. Top Lug. 74°. 31.7x28.6mm.</p> <p>C621. Bottom Lug. 60.30°. 31.7x28.6mm.</p> <p>C601 Seat Lug. 73°. 28.6x28.6mm.</p>	<p>C70 Series.</p> <p>C71-MT. Top Tube. 71°. 31.7x28.6mm.</p> <p>C72MT. Down Tube. 66°. 31.7x31.7mm.</p> <p>C601 Seat Lug. 73°. 28.6x28.6mm.</p>	<p>108M Series.</p> <p>LT108M Top Lug. 37x31.7mm. Angle 77.30°.</p> <p>LD108M Bottom Lug. 37x34.9mm. Angle 66.10°</p> <p>LS108M Seat Lug 31.7x31.7mm. Angle 79.30° Seat Stay port 16mm round. Angle 54.36°</p> <p>Hadren Pressed Seat Lug available if the above is not suitable.</p>

 <p>Any angle seat stay insertion. For Double Taper Seat Stays LS106RS 28.6x25.4x10.5mm. Angle 73.30° LS106RO 28.6x28.6x10.5mm. Angle 73.30°</p>	 <p>LS02F-6 For 28.6x28.6mm. tubing. 74°. For 14mm. seat stays</p>	 <p>P23. For 28.6 Top and Seat Tube. 14mm. Seat Stay Ports in rear of lug. 73.30° angle.</p>	 <p>LS22-9 For 28.6mm.x 25.4mm.x16mm. Angle 73.30x49.10°. Suitable for C57 Wishbone.</p>
<h2>SPECIAL SEAT LUGS</h2>			
 <p>C839. Centre Lug. Gents/Ladies 31.7 Tops/28.6mm Seat Tube</p>	 <p>C841. Rear Top Lug Ladies. 31.7 Top/28.6mm Seat Tube</p>	<h2>TANDEM</h2>	

Lugs - Cast



 <p>LT102R</p>	 <p>LT200C</p>	 <p>LT204C</p>	 <p>LT205R</p>	 <p>LT300R</p>	 <p>LT302R</p>
 <p>LD102R</p>	 <p>LD200C</p>	 <p>LD204C</p>	 <p>LD205R</p>	 <p>LD300R</p>	 <p>LD302R</p>
 <p>LS102R</p>	 <p>LS200C</p>	 <p>LS204C</p>	 <p>LS205R</p>	 <p>LS300R</p>	 <p>LS302R</p>
<p>102 Series.</p> <p>Long Point Racing Lugs. Standard Size.</p> <p>LT102. 31.7x25.4mm. 71°. LT102. 31.7x25.4mm. 73°.</p> <p>LD102. 31.7x28.6mm. 60°. LD102. 31.7x28.6mm. 61°. LD102. 31.7x28.6mm. 62°.</p> <p>LS102. 28.6x25.4mm. 74°.</p>	<p>200 Series</p> <p>Medium Point Lugs. Part Oversize</p> <p>LT200C-1. 31.7x28.6mm. 71°. LT200C-2. 31.7x28.6mm. 72°.</p> <p>LD200C-1. 31.7x28.6mm. 61°. LD200C-2. 31.7x28.6mm. 62°.</p> <p>LS200C-2. 28.6x28.6mm. 72°. LS200C-3. 28.6x28.6mm. 73.30°.</p>	<p>204 Series</p> <p>Long Point Lugs Oversize.</p> <p>LT204C-2. 31.7x28.6mm. 72°. LT204C-3. 31.7x28.6mm. 73°. LT204C-4. 31.7x28.6mm. 74°.*</p> <p>LD204C-0. 31.7x31.7mm. 60°.*</p> <p>LS204C. 28.6x28.6mm. 74°.*</p> <p>S-LT/LD/LS204C set complete Stainless Steel. Angles see *</p>	<p>205 Series</p> <p>'Arrowhead' Type design for Oversize tubing. Integrated Seat Stay ports.</p> <p>LT205R. 31.7x28.6mm. 73°.</p> <p>LD205R. 31.7x31.7mm. 60°.</p> <p>LS205R. 28.6x28.6mm. 73.30°. For 10.5mm. Seat Stays - 45°. E.g. Columbus EL0415..101 Double Taper</p>	<p>300 Series</p> <p>Standard size 'Arrowhead' design.</p> <p>LT300R. 31.7x25.4mm. 73°.</p> <p>LD300R. 31.7x28.6mm. 60°.</p> <p>LS300R. 28.6x25.4mm. 73.30°. for 10.5mm Seat Stays. - 45°. E.g. Columbus EL0415..101 Double Taper</p>	<p>302 Series</p> <p>Fancy Fleur-de-Lys design. For standard size tubes.</p> <p>LT302R. 31.7x25.4mm. 73°. LD302R. 31.7x28.6mm. 60°. LS302R. 28.6x25.4mm. 73.30°. For 10.5mm Seat stays. E.g. Columbus EL0415.101 Double Taper.</p> <p>Available as stainless in set with other Fleur De Lys Parts</p>
 <p>LT07 Long Point Top Head Lug. 36x28.6mm. 74°</p>	 <p>LD07 Long Point Bottom Lug. 36x31.7mm. 60°</p>	 <p>LT04-8 Long Point Top Head Lug. 36x31.7mm. 74°</p>	 <p>LT03 Long Point Top Head Lug. 31.7x31.7mm. 73.30°</p>	<p>EVEREST</p>  <p>C839a. Seat Lug. For 28.6mm. Seat Tube.</p>	<p>EVEREST</p>  <p>C84. For 31.7mm. seat tube.</p>
<p>-----These Lugs Suit Columbus CYRK18 Head Tube for forks with 28.6mm Steerer-----</p>					
 <p>S-LG100 Stainless steel Fleur de Lys Stem Set for 25.4mm Steerer. Two lugs kit & teardrop stainless tube for joining. Fits 26mm. 17° angle.</p>	 <p>LD04 Bottom Head Lug. 61° 36x34.9mm. Shorter Point than LT04-8 Top Head Lug Above</p>	 <p>LD03 Long Point Bottom Head Lug. 31.7x34.9mm. 60°</p>	<p>EVEREST</p>  <p>C759. for 28.6mm. Seat Tube. Boss 42mm wide. 8.4mm hole.</p>	<p>EVEREST</p>  <p>C83. Seat Clamp. 31.7mm. dia.</p>	
 <p>S-LG302 Stainless steel Fleur de Lys Stem Set for 25.4mm Steerer. Two lugs kit & teardrop stainless tube for joining. Fits 26mm. 17° angle.</p>	<p>Stainless</p>  <p>S-LS01F-1A Diameter 28.6mm. S-LS01F-2A Diameter 29.8mm. S-LS01F-3A Diameter 31.7mm. Accept M6 Screw</p>	<p>LS</p>  <p>LS01N-2B Seat Tube Collar. 28.6mm. with extended rear re-inforcement.</p>	<p>LS</p>  <p>LS01-2B Seat clamp for 28.6mm. tube. LS01-3B Seat clamp for 31.7mm. tube.</p>		

Lugs

Cast Lugs

saba

'51' Series Oversize Cast Racing Lugs. New Shape



'49' Series Standard Cast Racing Lugs.



Pressed Lugs

BOCAMA

Professional Lug Set.
Medium Points.
Head: 31.7mm.
Top: 25.4mm. 73°. Bottom: 28.6mm. 61°. Seat: 28.6mm. 73°.



Competition Lug Set.
Long Points.
Head: 31.7mm.
Top: 25.4mm. 73°. Bottom: 28.6mm. 60°. Seat: 28.6mm. 73°.



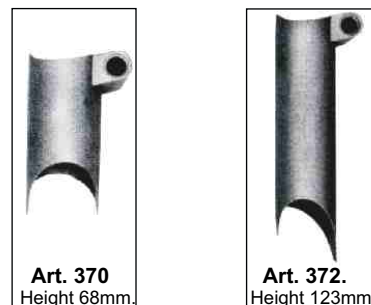
OPI Head Lugs
Head: 31.7mm
Top: 25.4mm 72°
Bottom: 28.6mm 60.30°



3/CS Lugs.
3 Cut Outs.
Head: 31.7mm.
Top: 25.4mm. 72°. Bottom: 28.6mm. 60°. Seat: 28.6mm. 72°.

SILVA

Machined Sleeves for 28.6mm. Seat Tube

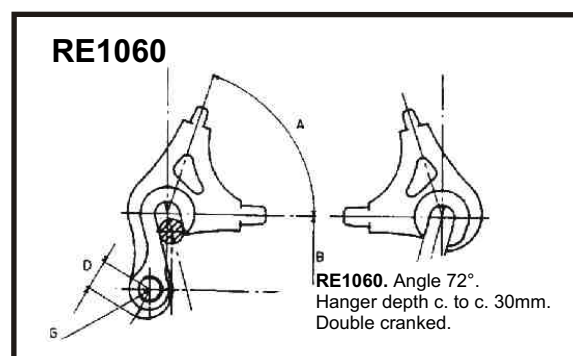
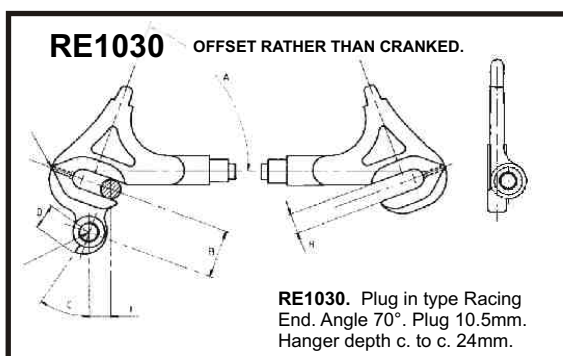
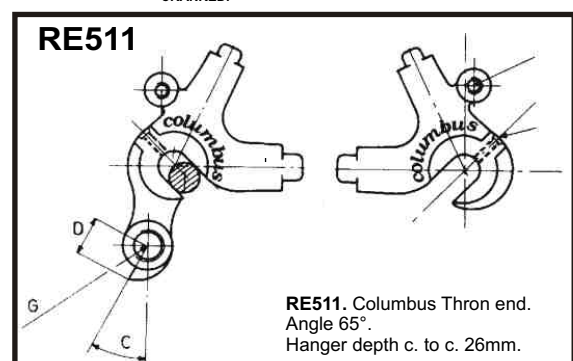
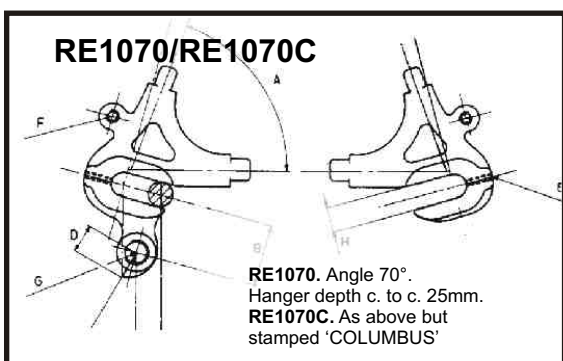
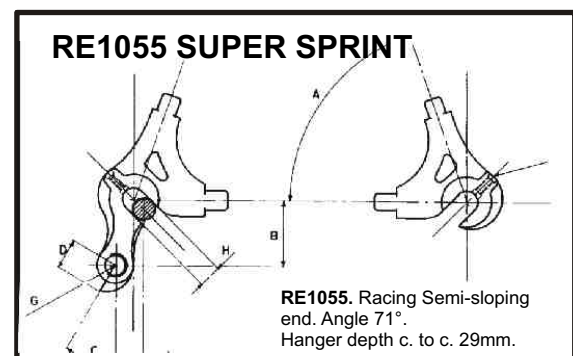
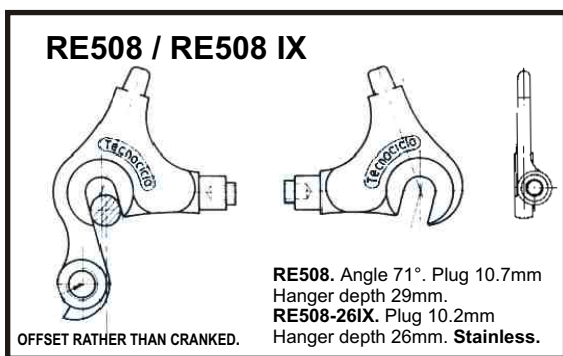
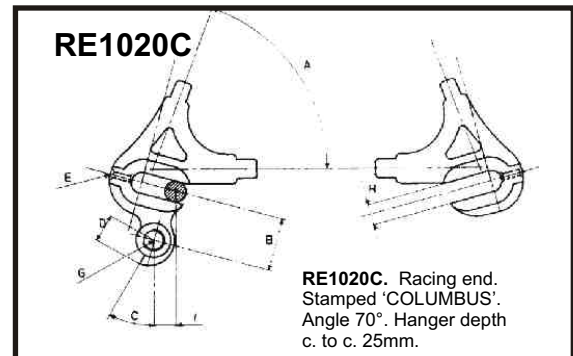
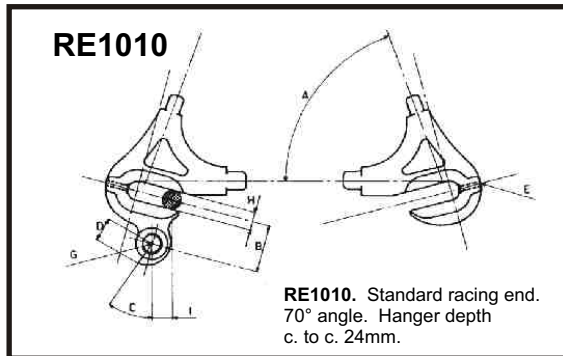


Frame Ends

TECNOCICLO ITALIA

Forged Frame Ends

Tecnociclo frame ends are forged from CARBOVAN alloy steel. This is a mixture of carbon and vanadium which allows for the retention of carbon during rear end welding. The use of vanadium also improves resistance to traction and stress, at the same time improving hardness.

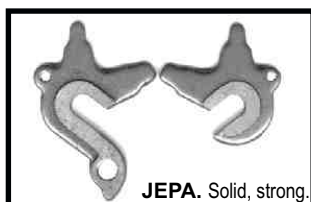
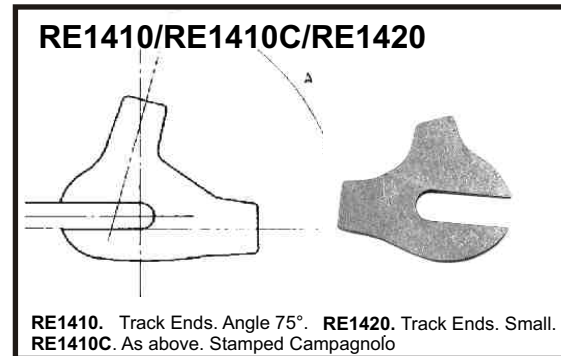
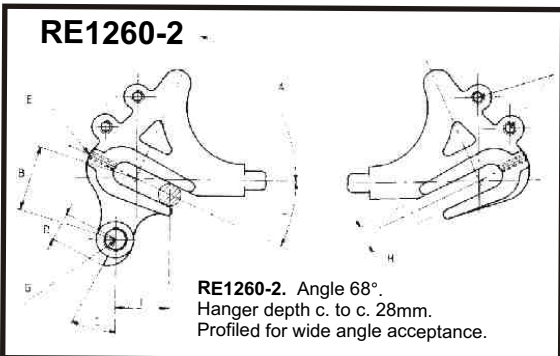
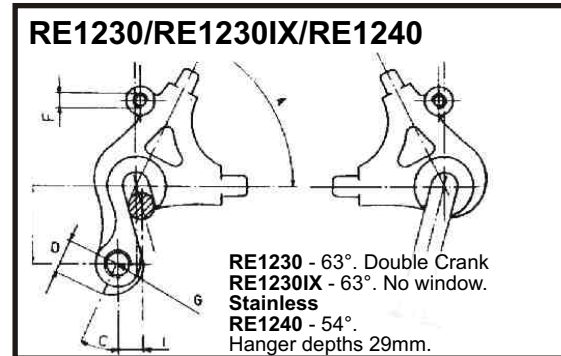
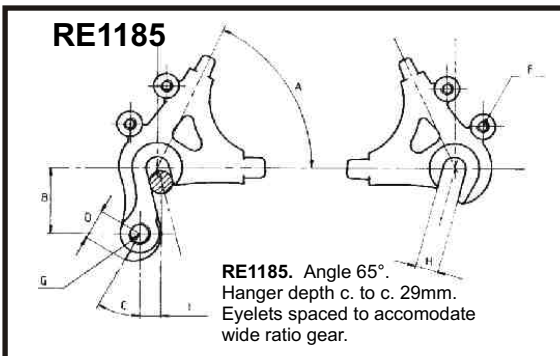
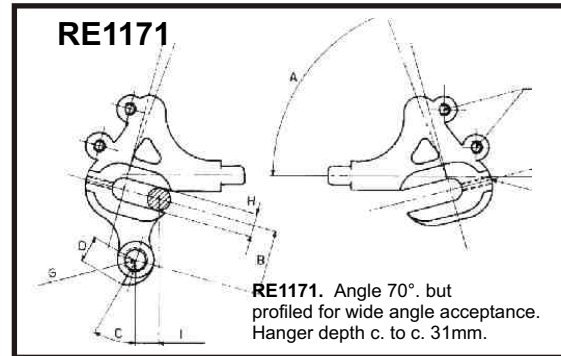
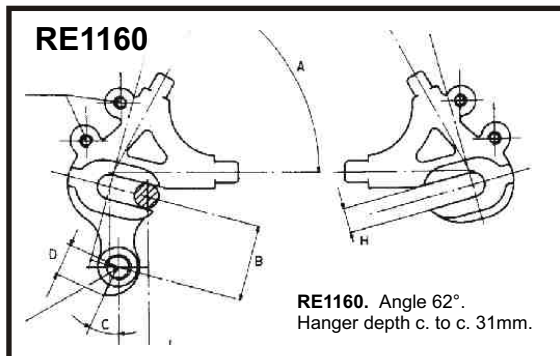
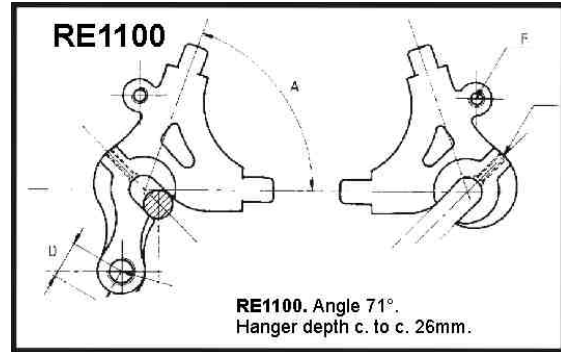
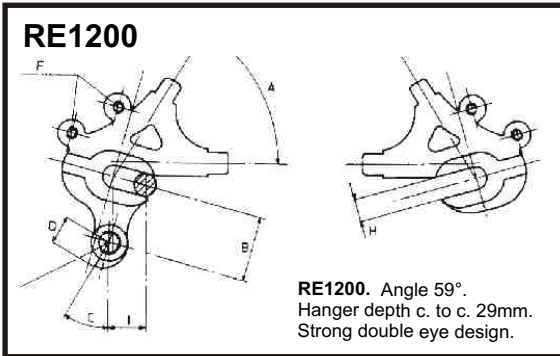


Frame Ends




TECNOCICLO

Forged Frame Ends

Tecnociclo frame ends are forged from CARBOVAN alloy steel. This is a mixture of carbon and vanadium which allows for the retention of carbon during rear end welding. The use of vanadium also improves resistance to traction and stress, at the same time improving hardness.



Frame Ends - Steel







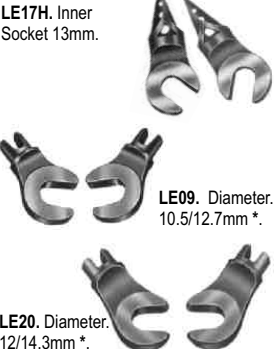


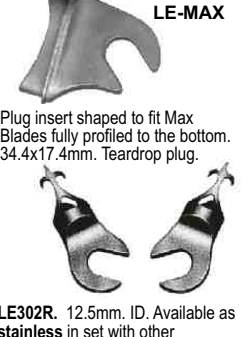
 <p>Ritchey Cast Ends. 62° For 13.5mm. Chainstay, 12.5mm. Seat Stay Socket.</p> <p>Forged. Front Ends. No Eye</p>	<p>Machined Front Ends.</p> <p>For all of these Fork Blade abutment * is 14.4mm:</p> <p>FE1491. 11.4mm. Plug.</p> <p>FE1490S 10.7mm. Plug FE1491S 11.7mm. Plug FE1490S IX 10.7mm. Plug. Stainless. FE1491S IX 11.7mm. Plug. Stainless.</p>
 <p>Forged. Single eye. Offset - 62°. Available without eye in 53 or 62°.</p> <p>Forged. Single eye - 53,62,74°. Extra strong.</p>	 <p>BSE External Fork Ends. 13mm. ID Socket</p> <p>Art. 570. 10.7mm. Plug. 13.25mm. Abutment *.</p> <p>Art. 569. External. 13.25mm ID Socket.</p>



Cast Frame Ends




* Dimensions quoted for internal plug in ends, show the internal plug diameter as well as the outer diameter for the step up against which the frame tube will abutt.

-----Articulated angle-----

 <p>LR09R-1. For Seat Stay Tip 10.5mm. Chain Stay Tip 12.5mm. Angle: 72°.</p> <p>SLR09R-1. As above - Stainless.</p>	 <p>LR12-1. Angles - 72 & 75°. For 12.5mm. S/S. 12.5mm. C/S.</p> <p>Also 72°. 12.5mm. S/S. 13.2mm. C/S.</p> <p>SLR12-1. Stainless - 72°. 12.5mm. S/S. 12.5mm. C/S.</p> <p>LR13M-1. ATB. 63°. For 12.5mm. S/S 12.5mm. C/S Tip Also 14mm. C/S Tip</p>	 <p>LR01. For Seat Stay Tip 12.5mm. For C/Stay Tip 14mm. Articulated angle.</p>	 <p>LR10R. Articulated angle. For Seat stay dia. 10.5mm. Tip For Chain stay dia. 12.5mm. Tip</p>	 <p>LR302R. For 12.5mm. C/S. Tip 10.5mm. S/S. Tip Available as stainless in set with other Fleur De Lys Parts</p>
 <p>LR15 CAST TRACK ENDS 10.85/12.85mm *. Seat Stay Plug. 11.5/13.7mm *. Chain Stay Plug.</p>	 <p>LE17H. Inner Socket 13mm.</p> <p>LE09. Diameter. 10.5/12.7mm *.</p> <p>LE20. Diameter. 12/14.3mm *.</p>	 <p>LE21. 14mm Socket.</p> <p>LE20-2. Plug 12/14.3mm *.</p> <p>SLE20-2. As Above but Stainless.</p>	 <p>LE16. For 25.4mm. OD Fork Tip. Diameter. 23/25.4mm *.</p> <p>LE13-1. To fit 28.6mm. diameter. tubes. 26.2mm. plug.</p>	 <p>LE-MAX Plug insert shaped to fit Max Blades fully profiled to the bottom. 34.4x17.4mm. Teardrop plug.</p> <p>LE302R. 12.5mm. ID. Available as stainless in set with other Fleur De Lys Parts</p>

EVEREST

Cast Frame Ends.

 <p>FC01. Racing Ends. For 12.5mm. C/S Tip. For 12.5mm. S/S Tip.</p>	 <p>C-111. Rear Ends. Extra Strong. Free Angle. For 13.5mm. Chainstay Tip.</p>	 <p>C1152. Articulated angle. 8.9/11mm Seat Stay Plug *. 11/13mm Chain Stay Plug *.</p>	 <p>C101. 9.8/13mm. Plug *.</p>	<p>For 22.2mm. OD Tip Fork Blade ends (available):</p>  <p>C196. 19.4mm. Plug.</p> <p>C188. 19mm. Plug. For Straight tubes.</p>	 <p>C132. Stainless Steel Derailleur hanger.</p>
---	--	---	--	--	--

Bridges



BRAKE BRIDGES

Art. 189.
Recessed for Brake Nut.
Width: 80mm.



Art. 190. Reduced
Centre Boss. 60mm wide.
Also available with 6mm.
Plain hole only.



Art. 191.



Art. 205.



Art. 213



Art. 217



Art. 452

Nemo Bridge
Cut away for
lightness



Art. 246



Art. 220



Art. 221



Art. 222



CHAINSTAY BRIDGES

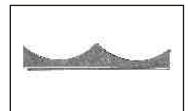
Art. 244
Width. 24.5mm.



Art. 250
2 Widths
26 & 29mm.



Art. 239
for ATB.
Threaded.



saba



JS43, 58, 66, or 70
Cantilever Bridge
Outside to Outside Width
43mm-58mm-66mm-70mm.
Stop is unthreaded.

EVEREST



C57. For 16mm OD Tube
at top. 14mm OD Seat Stays.



C131. Cast Brake Bridge.
Aero Shaping



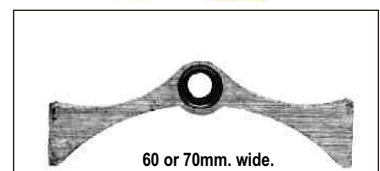
C-57T. Wishbone
22.2mm. Ports.

TECNOCICLO ITALIA



BP255. 33mm. width.

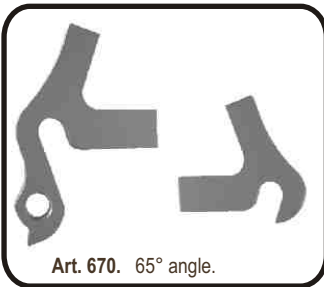
BE



60 or 70mm. wide.

CAMPANA

Aluminium/Titanium



Art. 670. 65° angle.

TITANIUM

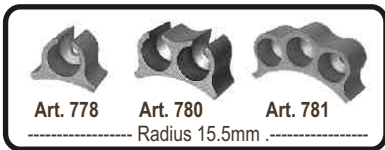
All parts in Titanium 3.25 except where indicated.



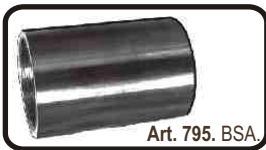
Art. 798. Brake Pivot.



Art. 789. Also available in CP2.



Art. 778 Art. 780 Art. 781
Radius 15.5mm



Art. 795. BSA.

Art. 777. Bottle Boss. Also available in CP2.



Art. 783. 5.7mm. ID. Stop, or CP2 6.1mm ID. Guide - CP2 5.1mm ID.



Art. 796. Also available in CP2.



CP2. M5x14mm. Bottle Boss Screw.



Art. 785



Art. 695. Seat Boss support.

ALUMINIUM

All parts in 7000 series except where indicated.



Art. 601 Sleeve. 43mm OD.

4 Holes. BSA Thread

Art. 599 Sleeve. As above but Without Holes. BSA Thread

Art. 598 Sleeve. Above without Holes. Italian Thread

Barrel Sleeve. No Hole. 68mm Width. No Thread. For better distributing bottom bracket stresses.



BP2433/R

Art. 180



Art. 170. Black Anodized. Pop Rivet.

Alloy Clamps come with bolt.



Art. 257. For 31mm Tube

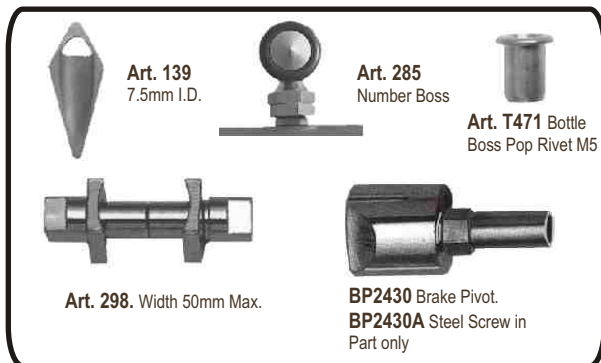


Art. 226. For 31.7mm Tube

Art. 227. For 35mm Tube



AC05. For 31.7mm Seat Tube



Art. 139 7.5mm I.D.

Art. 285 Number Boss

Art. T471 Bottle Boss Pop Rivet M5

Art. 298. Width 50mm Max.

BP2430 Brake Pivot.

BP2430A Steel Screw in Part only



STI Stops

Art. 130 Left and Right

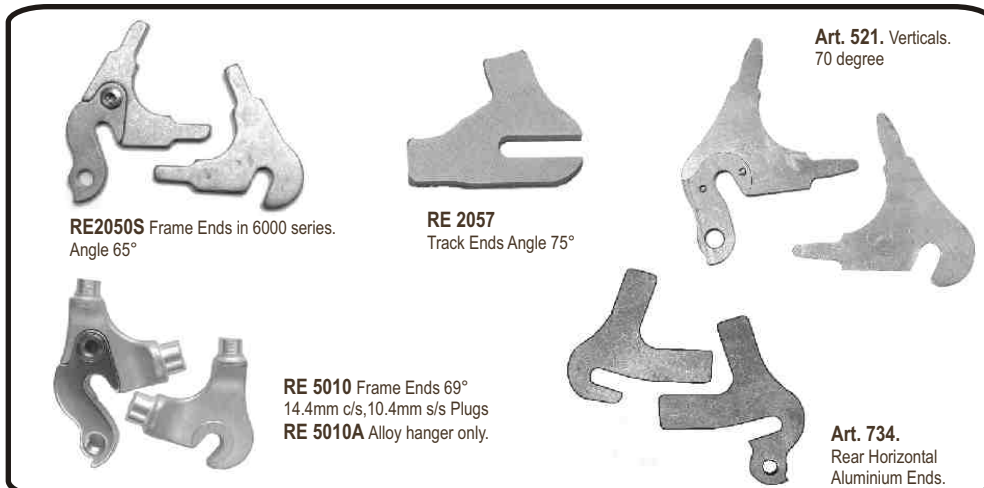
Art. 131 for down tube

Art. 256



Art. 299 Tig

Art. 132 Pop Rivet



RE2050S Frame Ends in 6000 series. Angle 65°

RE 2057 Track Ends Angle 75°

RE 5010 Frame Ends 69° 14.4mm c/s, 10.4mm s/s Plugs RE 5010A Alloy hanger only.

Art. 521. Verticals. 70 degree

Art. 734. Rear Horizontal Aluminium Ends.

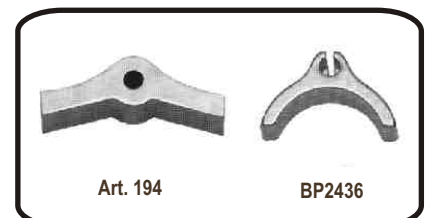


IHT7000 Integrated Head Tube 7000 series.

Sizes 115, 145, 175, 205mm:



The Columbus Integrated Head Tube has the major advantage of requiring only a small number of lengths to cover a wide range of frame sizes. It is made however for use with Columbus' own Headsets which require a 39.9mm sized reamer to fit (both of the above are available from ourselves). We can supply suitable Campag compatible integrated head tubes to special order. Contact us for details.



Art. 194

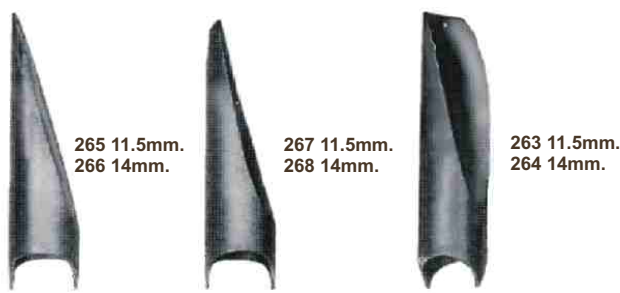
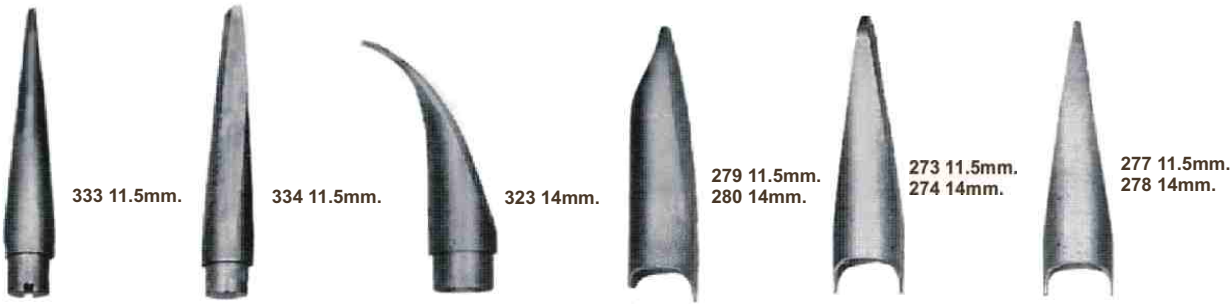
BP2436

Top Eyes



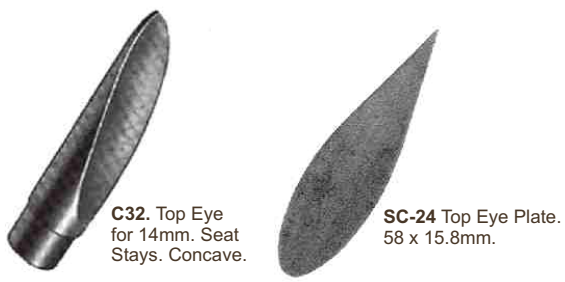
A range of Top Eyes suitable for seat stay sizes 11.5 (Double Taper), 14, and 16mm.

Due to changing fashions however, the majority of these are being phased out. Eventually it is anticipated that the only top Eyes that will be produced will be the Flat 315 and 316 models.



EVEREST

saba



Width: 18mm.
Diam: 14mm.
Hole Size: 8mm.

ART. 366.

Width: 19mm.
Diam: 12mm.
Hole Size: 8mm.

ART. 365.

Width: 18mm.
Diam: 16mm.
Hole Size: 8mm.

ART. 358.

Width: 28mm.
Diam: 20mm.
Hole Size: 6.5mm.

ART. 359.

Bosses-Supports



ART. 297	ART. 287	ART. 289	ART. 292	ART. 299A	ART. 291
CHAIN HITCH	PUMP PEG	NUMBER BRACKET	NUMBER BRACKET	T. T. GEAR BOSS	DERAILLEUR BOSS

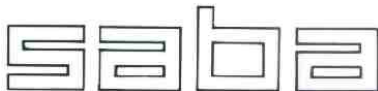
EVEREST

C-134. Stainless Steel Boss Front Deraillieur. For 31.8mm Tube.

ART. 477 - M5. 8.75mm for 1/4" hole	ART. 296	ART. 260. Comes with INOX spring	ART. 282	ART. 295. Rear smaller	ART. 294. Rear	ART. 293. Front.
BOTTLE CAGE BOSS	GEAR LEVER BOSS	ALLOY ADJUSTER	ERGO BOSS	PANNIER BOSS		

BOTTLE CAGE BOSS. 8MM.	BOTTLE CAGE BOSS. 10MM.	BOTTLE CAGE BOSS. 9mm.	BOTTLE CAGE BOSS. 10mm.	BOTTLE CAGE RE-INFORCEMENT.	RE-INFORCEMENT	TOP TUBE GUIDE	Fits Art 189 or 190

ART. 301 - M5.	ART. 449	ART. 479. Steel. Head Tube also stocked. (CYRA18)	ART. 480. 32mm.	ART. 481. 36mm.	ART. 491
STI BOSS FOR DOWN TUBE. INCLUDES MATCHING SCREW & SPRING	SEAT BOSS	INTEGRATED HEAD TUBE RINGS	HEAD TUBE REINFORCEMENTS	STEERER COLLAR	STEERER COLLAR DEEP



-----JS-110 Series. Cantilever Bosses.-----

SC-24 Top Eye Plate. 58 x 15.8mm	Circles Fork Blade Liner	808 Disc Brake Boss	J+3 Front For Oval	H8 Rear	J-3 Front For Oval Opposite	L7 Front For Round	J0	MS02 Tower Cantilever Boss M 6

-----JS-150 Series. Cantilever Bosses.-----

T480. Cast Rings for 31.7mm. Head Tube. Shaped. Incorporating M5 threaded Ergo bosses.	J13 Front For Oval	H15 Rear	N13 Front For 28.6mm	L15 Front For 25.4mm	120-J+3	150-J+3

TAKAHASHI



M5x12mm As illustrated. Socket or Button Head. M5x20mm Socket Head. M6x20mm Socket Head. M6x25mm Socket Head. Also available:- M5 Washers, Black M8 High Tensile Bolts.	ST01 Cranked Pump Peg.	ART. 2310	ART. 2280. Seat Boss.	ART. 2290. 6mm. Screw.	286B Cast Deraillieur Boss. Long Slot for Greater Adjustment. S286 Cast Stainless Deraillieur Boss. Standard Slot

Guides-Stops-Tunnels



<p>5.7mm ID ART. 101 TOP TUBE GUIDE</p>	<p>5.7mm ID ART. 102 TOP TUBE GUIDE</p>	<p>5.7mm. ID ART. 103 TOP TUBE GUIDE</p>	<p>5.7mm ID ART. 104 TOP TUBE GUIDE</p>	<p>106 - 5.7mm ID. 115 - 9mm ID. ART. 106/115 TOP TUBE GUIDE</p>	<p>6mm. ID ART. 110 CABLE STOP</p>	<p>5mm. ID ART. 303 CABLE GUIDE</p>
--	--	---	--	---	---	--

<p>5mm. ID ART. 176 CABLE STOP</p>	<p>ART. 100 - 6.7mm. ID ART. 111 - 6.3mm. ID SLOTTED STOP</p>	<p>6mm. ID ART. 118 CABLE STOP</p>	<p>6mm. ID ART. 453 CABLE STOP</p>	<p>3.8mm. ID ART. 151 CABLE STOP</p>	<p>5mm. ID ART. 152 CABLE STOP</p>	<p>5mm. ID ART. 107-108 CABLE GUIDE</p>
---	---	---	---	---	---	--

<p>5.7mm. ID ART. 112 TRIPLE STOP</p>	<p>5.7mm. ID ART. 116 TRIPLE STOP</p>	<p>ART. 313C (Set) TOP MOUNT BB GUIDES</p>	<p>ART. 313C (Set) TOP MOUNT BB GUIDES</p>	<p>ART. 589 PULLY</p>	<p>ART. 581 - M5 MUDGUARD EYE</p>	<p>ART. 141 - 7mm ID ART. 142 - 5.5mm ID WIRE COVER</p>
--	--	---	---	----------------------------------	--	---

<p>55mm. ART. 146</p>	<p>33mm. ART. 144</p>	<p>25mm. ART. 143</p>	<p>Art. 158. Triple underbracket guide for rough terrain. CABLE TUNNEL</p>	<p>ART. 200 CABLE TIE GUIDE</p>
----------------------------------	----------------------------------	----------------------------------	---	--

TAKAHASHI

<p>5.5mm ID. TT-13 WIRE COVER</p>
<p>7mm ID. TT-15 WIRE COVER</p>

<p>368 - 7mm OD</p>	<p>Art. 137 For Complete Cables. 7mm. x 500mm.</p>	<p>368</p>
<p>Art 150 Complete Brass Guide Tube Includes 2 x 368 Ends 4mm. OD. x 500mm. for inner wire.</p>		

TECNOCICLO

-----Radius 25.4 - 31.7mm.-----

<p>PL2080 - With Stud. PL2081 - With Hole. Triple also available.</p>	<p>BP2134</p>	<p>BP2142</p>	<p>BP2144</p>
---	----------------------	----------------------	----------------------

<p>5.8mm. ID LA53. Small. For 28.6mm. tube.</p>	<p>4mm. ID LG41. For 28.6mm tube</p>	<p>6.2mm. ID LA46C1 For 30mm Tube LA47 For 16mm Tube S-LA46C1 & S-LA47 Stainless versions of above</p>
--	---	---

<p>4mm. ID LG40. For 28.6mm. tube</p>	<p>5.8mm. ID LA51C.</p>	<p>6.3mm. ID LA43C-1. For 31.7mm tube.</p>	<p style="text-align: center;">Long Shen</p>
--	------------------------------------	---	---

EVEREST

<p>C-33C</p>	
<p>C-338 C-339</p>	<p>C-33-2N</p>
<p>C-33-3B</p>	

C338 Cable Stop 6.2mm ID - R12.7
C339 Cable Stop 6.2mm ID - R15
C33C Monostay Tower Stop - 6.8mm ID
C33-2N 2 Hole Cable Stop - 6.2mm. ID
C33-3B 3 Hole Cable Stop - 6.2mm. ID

Sundries



Chromed.

Art. 442. 12mm. head. Hex both ends. Body 18.5/27mm.
Art. 439. 12mm. head. Hex both ends. Body 24/34mm.



Chromed.

Art. 444. 10mm. head. Hex both ends. Body 16.5/23mm.
Art. 445. 10mm. head. Hex both ends. Body 27/37.5mm.



Chromed.

Art. 446. 12mm. head. Hex one end only. Thread goes through other end. Body 14.5/26.5mm.



Stainless Steel.

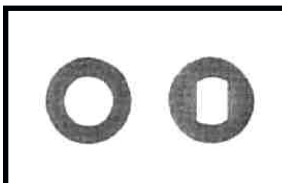
Art. 557. 12mm. Head. Hex both ends. Body 19/26mm.



Art. 448. Frame end adjusters.



Art. 500. Brazing Spring. 10.5mm. Diameter. For Plug In Fork Ends.



Art. 511. Teflon Gear Lever Washer.
Art. 512. Teflon Gear Lever Friction Washer.



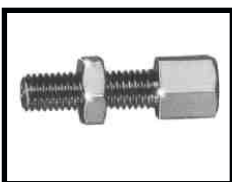
Art. 541. Brass brazing insert for fork blades. Internal Crown.
Art. 540. Brass brazing insert for 28.6mm tubes.



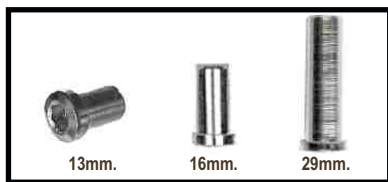
Art. 537. Steel insert for filling joint of internal fork crowns.
Art. 536. Steel insert for filling joint between seat stay and top eye. For 14mm. Seat Stays.



Art. 7225. Front Centre Pull Adjuster Bracket for 25.4mm



Art. 7226 M6 Adjuster Screw & Locknut. Steel.



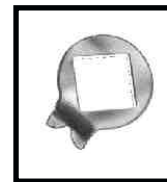
Brake Nuts: **Art. 427.** Rear **Art. 428.** Front
Art. 422. Extra Long. (For Carbon)



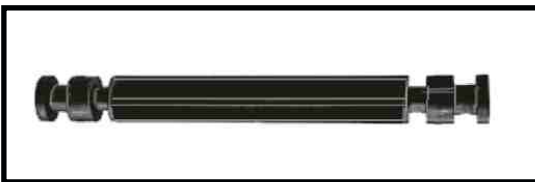
Art. 513. Outer Gear Lever Boss Washer.



Art. 525. Knurled Washer.



Art. 290. Alloy Gear Lever Washer.



Art. 595. Plastic frame spacer for rear and front forks. 105 - 130mm.



Art. 584. Space Bar - Double. 105/130mm.



Art. 580. Chain Tensioner PVC.

PAINT PROTECTION PLUGS



Art. 441. Bottle boss

Art. 725. Bottom Bracket

Art. 723. Head Tube

Art. 724. Seat Lug

Art. 721. Gear Lever Boss

Art. 722. Brake Support

Art. 526/585. ATB Safety Bolt.

Art. 99. Pump Connector.
Art. 99a. Washer.



Art. 591.

Art. 590. Derailleur Pulleys.

Art. 589.



Art. 426. Gear Lever Thumb Screw.



BUDGETEXPANDER for 28.6 Forks. 'Compressor'



CARBONEXPANDER for 28.6 Forks. 'Compressor' Carbon cap. Extra Grip.



4.5 or 5mm Plain or Stepped Ferrules

Wire Terminals: 1.6 or 1.9mm. Short or Long

Highest Quality Italian Brake, Gear & Saddle Wires. Pear/Barrel.

Inner Liner. Black or White



Art. 606. Bottom Bracket Thread Converter. Italian to English. (L & R)
(Potentially of use in stripped thread repairs)

Sundries 2



BRAZING PRODUCTS

SIFBRONZE No 101

Special brazing rod containing specific addition of Manganese and Tin, with free flowing characteristics.

SIFBRONZE No 2

BS: 1845 CZ8 & 1453 C5

A high duty, free flowing rod containing 9% Nickel which produces an exceptionally strong joint on cast iron, stainless & alloy steels. It has excellent wearing properties and is recommended for building worn components like gear teeth, bearings and valve seats, since it work hardens. The high strength characteristics makes Sifbronze No 2 ideal for tubular structures, brazing cutting tips and as a general maintenance alloy.

SIF SILVER SOLDER No 43

BS: 1845 AG14

A CADMIUM FREE Silver Solder suitable for use on all ferrous and non-ferrous metals, except aluminum. Silver content stands at 55%. It can be used with oxy-acetylene, oxy-propane and associated heat sources.



Low Cost Insurance for Top Cycle Frames

Today's high performance steel frames are being made with extremely thin-walled tubing compared to frames in the past. There used to be a safety margin should the tubes rust.

Not any more! Frame builders who do repair work, painters and mechanics, are seeing a higher incidence of rust-throughs these days. Even if you don't ride in the rain or cross streams, moisture will find its way into a frame. Cool moist conditions can pull in damp air past the seat post, threads, and vent holes, building up over time. The cumulative effect can be devastating.

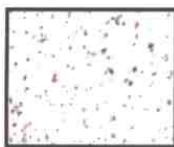
Why take a chance? Prevention is easy!

An application of FRAME SAVER will add years to a frame's life, and peace of mind to its owner.



SILVA

PLAIN COLOUR



- 672.1 Black
- 672.4 White
- 672.5 Red
- 672.7 Bianchi Blue
- 672.17 Navy Blue

ARLECCHINO



- 672.9 White/Red
- 672.12 White/Yellow/Purple
- 672.13 White/Blue/Purple
- 672.19 Grey/Blue/Purple
- 672.20 Grey/Black/Blue/Yellow/Red
- 772.1 Grey/Black/White
- 772.2 Yellow/Pink/Purple
- 772.3 Orange/Bianchi/Purple
- 772.4 White/Pink/Purple
- 772.5 White/Black/Pink
- 772.6 White/Pink/Green

ONDA



- 771.1 Black/White
- 771.2 Pink/Lt Green/Dk Green
- 771.3 Grey/Blue
- 771.4 Black/Purple
- 771.5 Black/Red
- 771.6 Black/Yellow

**GEL TYPE
NOW AVAILABLE**

Carbon

All Carbon Parts shown here utilize High Modulus Carbon fibre, which is 20% lighter and 10% more resistant than the standard T-700 aerospace carbon fibre used for most carbon cycle components.



COLUMBUS



FF4 - Carbon Fork Monocoque 700C. 25.4mm Non Integrated. 43mm Offset. Raked. 365 g Av.
FF8 - Carbon Fork Monocoque 700C. 28.6mm Integrated. 43mm Offset. Raked. 395 g Average.



FKU - 28.6mm Integrated. Carbon Fork Alloy Crown. Straight Blades. 300mm Carbon Steerer. Aerofoil Design. 43mm offset. 550g Average



Tusk - 28.6mm Integrated. Carbon Fork With Aluminium Crown. 45mm offset. 300mm Alloy Steerer. Profiled Design. 550g Average.



Carve 2004 - 28.6mm Integrated. 45mm offset. 300mm Carbon Steerer. Monocoque Single Piece Profiled Design. 420g Average



Muscle - 28.6mm Integrated. Monocoque Fork With Titanium Mesh. 45mm offset. 300mm Carbon Steerer. 380g Average.
Super Muscle - Same Shape as above. 28.6mm Integrated. Monocoque Fork with Nickel Braiding. 45mm Offset. 300mm Carbon Steerer. 340g Average

COLUMBUS

COLUMBUS



Muscle - Rear End With Titanium Mesh Includes Tubes and Parts for Steel or Alloy Special BB shell to suit available in Alloy



XLR8R - Columbus Carbon Seat Pin For 27.2mm or 31.6mm. 300mm. Includes 'Anti Compression Channel' safety feature.



Carve - Carbon Rear End. Single Plug Type Includes Dropouts, Connector Tube and Special Bottom Bracket Shell for Steel or Aluminium



Link - Wishbone only. Equivalent of Carve 2003 Supplied with Dropouts and Connector Tube in Steel or Aluminium. Supplied Unlacquered

Cyclus Tools



Head Tube Reamer:
 1" Code 720005
 1 1/8" 720006
 1" Cutter only 720025
 1 1/8" Cutter only 720026



Bottom Bracket Shell Facer:
 Code 720007
 Spare Cutter only 720027

Gear Hanger Alignment Tool:
 Code 720010



Crown Race Cutter Complete:
 1" (26.4mm) Code 720003
 1" (27mm) 720034
 1 1/8" 720004
Spare Cutter:
 1" (26.4mm) 720023
 1" (27mm) 720087
 1 1/8" 720024

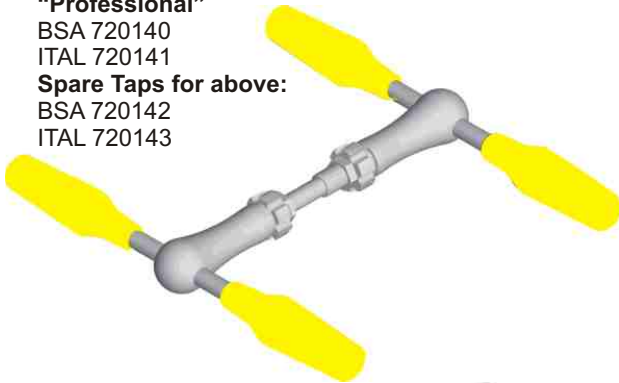


Dropout Alignment Tool:
 Code 720011

**Bottom Bracket Threading Tool
 "Professional"**

BSA 720140
 ITAL 720141

Spare Taps for above:
 BSA 720142
 ITAL 720143



**Seat Tube Reamer
 Handles Only:**
 Code 720061
Reamer for above:
 27.2mm 720097
 Other sizes available
 25-32.4mm

**Spoke Threading Tool
 Excludes Heads:**
 Code 720151



Head for above:
 3mm Spoke 720152
 2.34mm 720153
 2.0mm 720154
 1.8mm 720155

Integrated Head Tube Reamer Complete:

Campagnolo Top (42/3.0/45 deg) 720131
 Campagnolo Bottom (42/6.9/45 deg) 720132
 Shimano Top (42/2.4/45 deg) 720133
 Shimano Bottom (42/6.0/45 deg) 720134

Cutters Only

Campagnolo Top 720903
 Campagnolo Bottom 720904
 Shimano Top 720907
 Shimano Bottom 720908



Wheel Dishing Tool:
 Code 720036

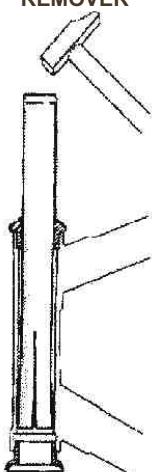


Frame Alignment Tool:
 Code 720031

Cobra Tools

CUTTING TOOLS
COMPATIBLE WITH
CAMPAGNOLO.

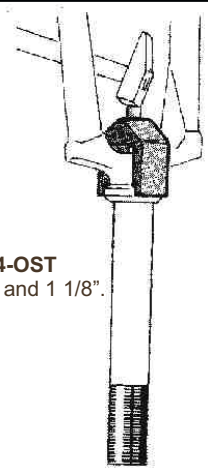
HEAD CUP REMOVER



D-135 for 1" or 1 1/8" H/Set

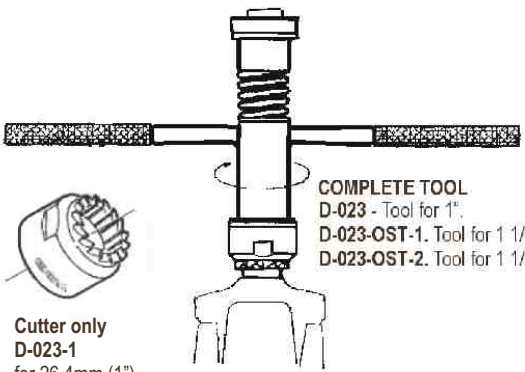
D-035-OST-2 for 1 1/4" H/Set.

D-034-OST for 1" and 1 1/8".



CROWN RACE REMOVER

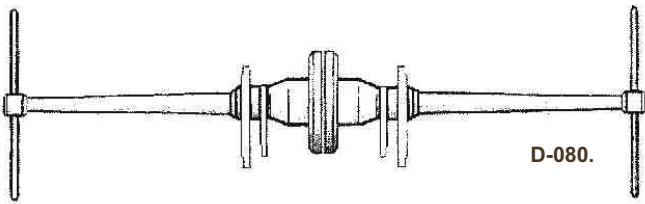
COMPLETE TOOL
D-023 - Tool for 1".
D-023-OST-1. Tool for 1 1/8"
D-023-OST-2. Tool for 1 1/4"



Cutter only
D-023-1 for 26.4mm (1")
D-023-1-OST-1 for 30.1mm (1 1/8")

FORK CROWN CUTTER

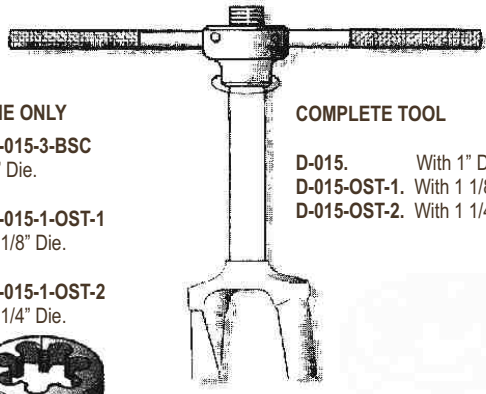
FORK BLADES, REAR FRAME ENDS, ALIGNMENT TOOL.



D-080.

DIE ONLY
D-015-3-BSC 1" Die.
D-015-1-OST-1 1 1/8" Die.
D-015-1-OST-2 1 1/4" Die.

COMPLETE TOOL
D-015. With 1" Die.
D-015-OST-1. With 1 1/8" Die.
D-015-OST-2. With 1 1/4" Die.



STEERING THREADING TOOL

HEADSET CUTTER AND PRESS **BOTTOM BRACKET FACER** **BOTTOM BRACKET THREADER**

COMPLETE TOOL
D-022 for 1"
D-022-OST-1 for 1 1/8"
D-022-OST-2 for 1 1/4"

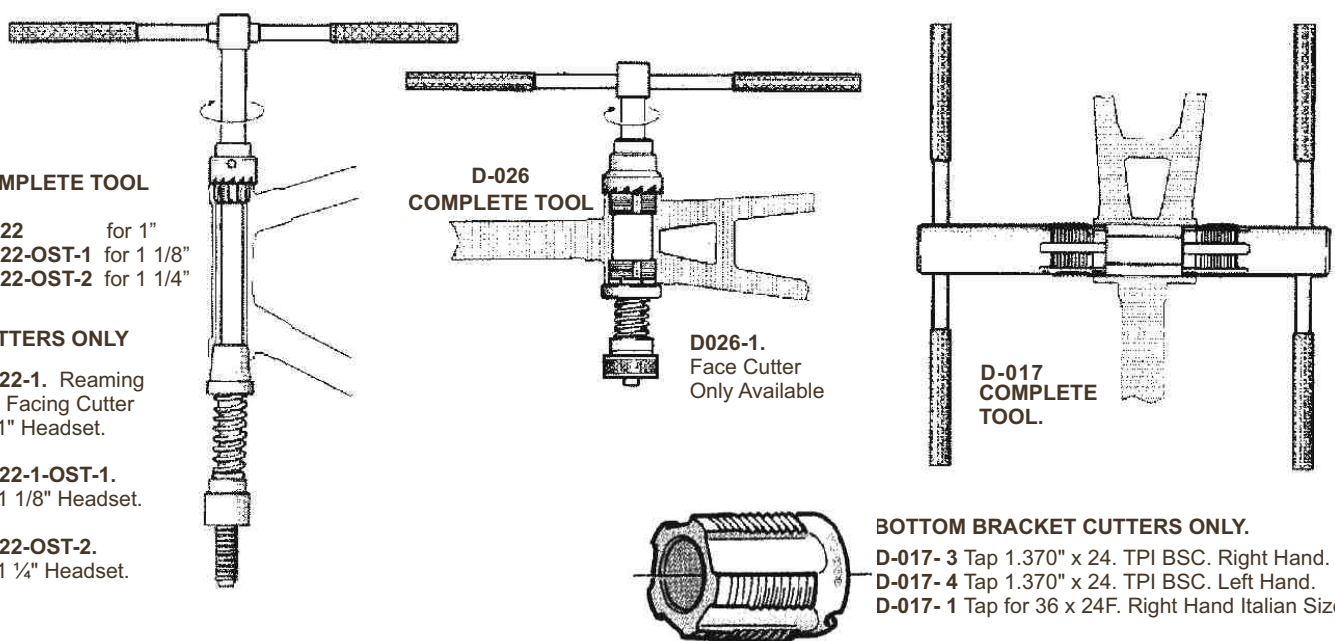
CUTTERS ONLY
D-022-1. Reaming and Facing Cutter for 1" Headset.
D-022-1-OST-1. for 1 1/8" Headset.
D-022-OST-2. for 1 1/4" Headset.

D-026 COMPLETE TOOL

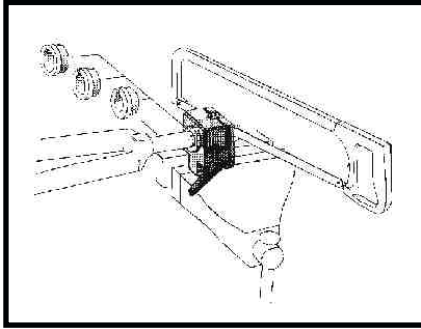
D026-1. Face Cutter Only Available

D-017 COMPLETE TOOL.

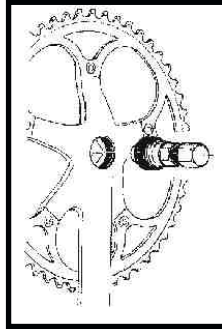
BOTTOM BRACKET CUTTERS ONLY.
D-017-3 Tap 1.370" x 24. TPI BSC. Right Hand.
D-017-4 Tap 1.370" x 24. TPI BSC. Left Hand.
D-017-1 Tap for 36 x 24F. Right Hand Italian Size.



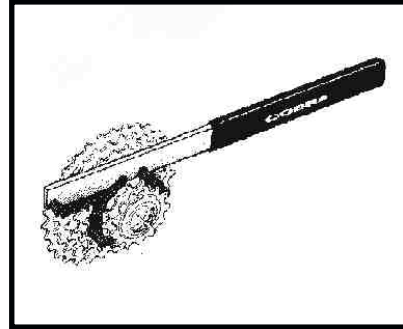
Cobra Tools



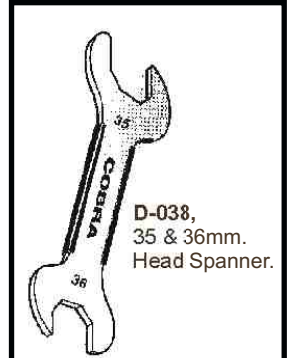
D-185. Threaded and Threadless Fork Saw Guide. 1" - 1 1/8".



D-002. Cotterless Crank Puller.



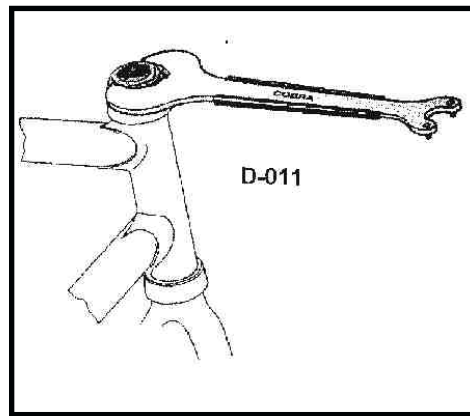
D-009. Chain Sprocket Remover.



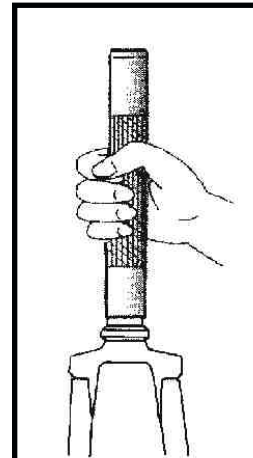
D-038, 35 & 36mm. Head Spanner.



D-007. Sprocket Remover.



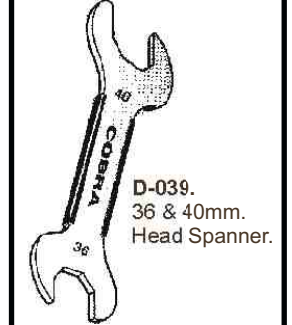
D-011. Headset and Pin Spanner.



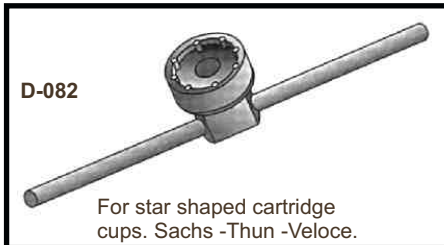
CROWN RACE FITTING TOOL

D-141 For 1" & 1 1/8"

D-014-1-OST-2 For 1 1/4"

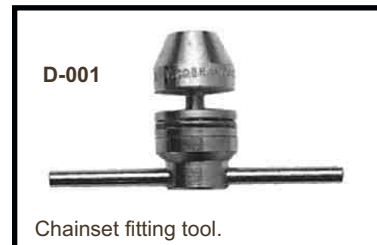


D-039. 36 & 40mm. Head Spanner.



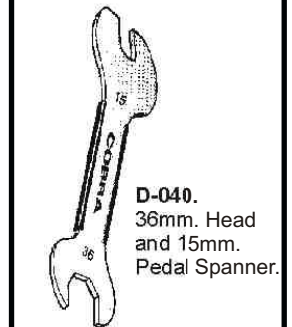
D-082

For star shaped cartridge cups. Sachs -Thun -Veloce.



D-001

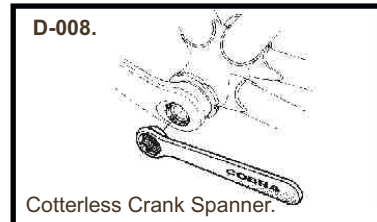
Chainset fitting tool.



D-040. 36mm. Head and 15mm. Pedal Spanner.



D-108 Threadless nut too for ahead 1" & 1 1/8"



D-008.

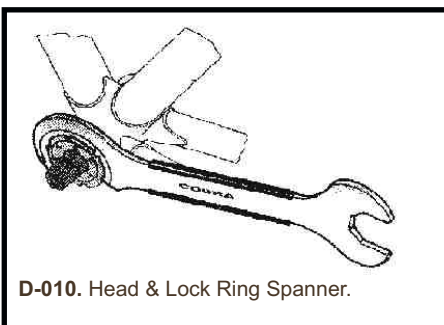
Cotterless Crank Spanner.



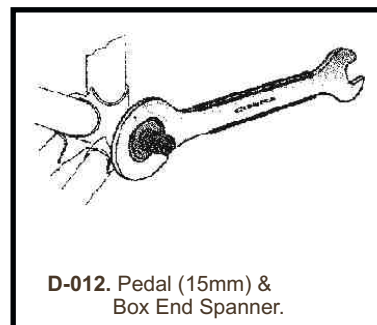
SPECIAL GREASE with Lithium



I-003 80g.

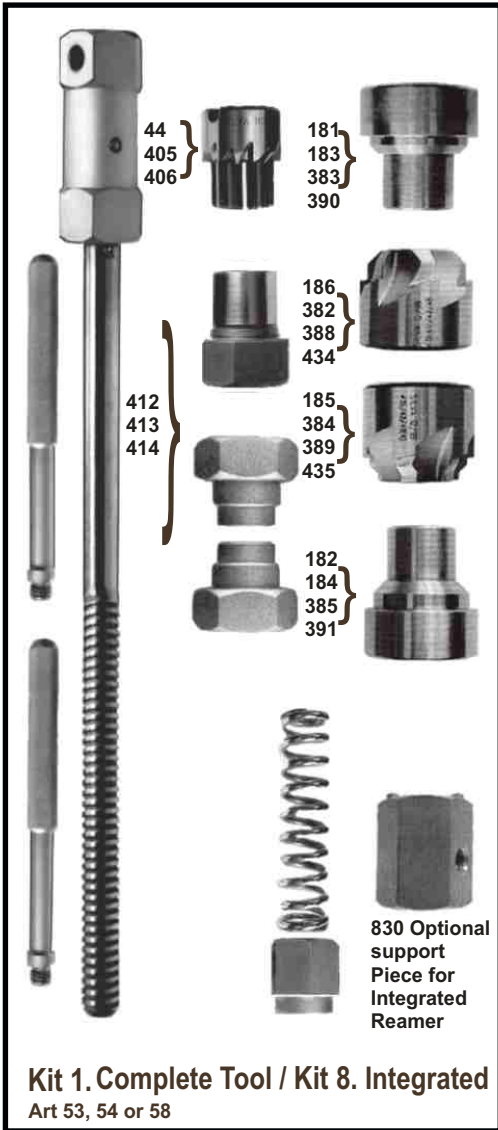


D-010. Head & Lock Ring Spanner.

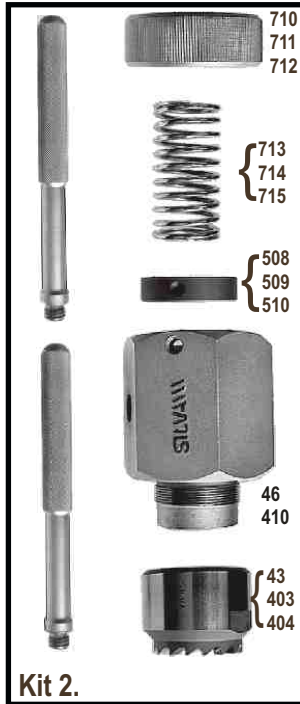


D-012. Pedal (15mm) & Box End Spanner.

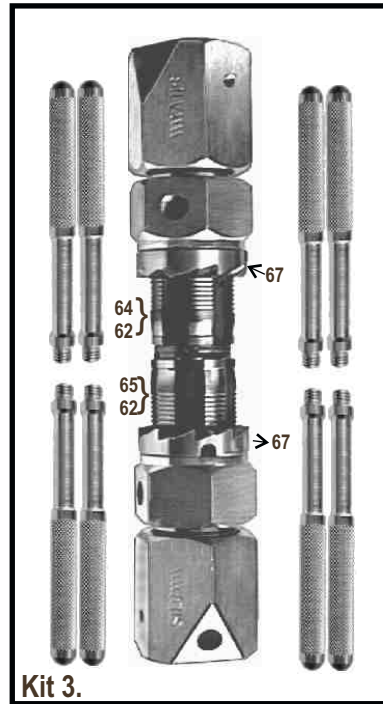
Silva Tools



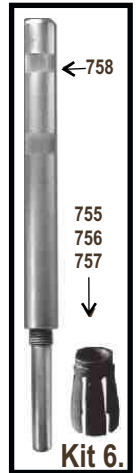
Head tube reamer and facer with headset parts available in 3 sizes. 1", 1 1/8", 1 1/4". Integrated Head tube reamer option. Cutters available for various systems.



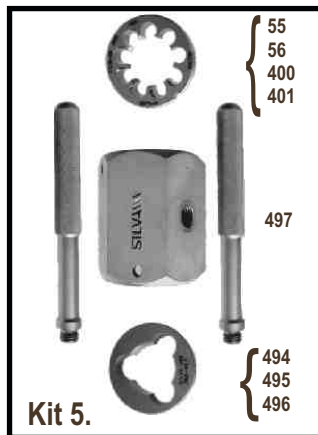
Crown Race Cutting Tool 3 Kits available for 3 sizes.



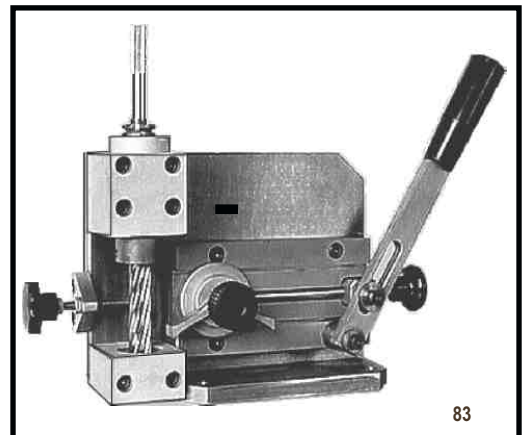
Art. 48 or 51. Bottom Bracket Threading Tool, inc. cutters for facing bottom bracket shell. Complete - English / Italian.



Head Cup Remover. With optional parts for Oversize Headsets.



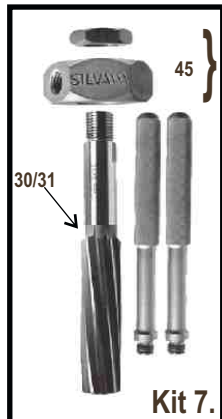
Steering Column Thread Cutter. Guides/Cutters available for 3 sizes, also Italian Threads.



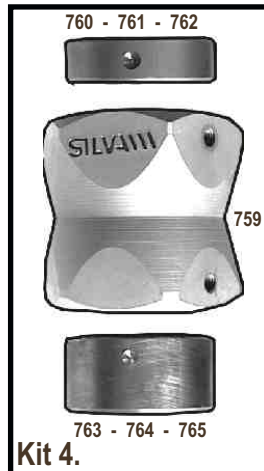
Machine for Milling Brake Bridge. Holders for different Bridges available.



Bottom Ball Race Removing Support. 3 sizes.



Seat Pin Reamer. Various sizes available. Also holder.



Headset Crown Race Setter Guides available for 3 sizes.



Holder for Small Reamers.

Cutters available with Nitride Coating to Order
Many Cutters Campag Compatible. Detail on Request.

Silva Tools



Art. 60 - 61. - 9/16" Pedal Taps. R/L.



Art. 34. M5 Tap for Gear Lever Boss.



Art. 36. 10.3mm. For brake hole and Seat Boss.



Art. 39. Seat Bolt Reamer. 2 Part (16.6/6.2mm)



Art. 29. 9.5,10.4,12.1,12.5,14mm. For Fork Blades and Seat Stays.



Art. 35. M10x24. Tap for Rear Hanger.



Art. 38. - 8.22mm.x 56 Reamer for Seat Bolt.



Art. 77. 15/19mm. Cutter for Art. 83



Art. 40. 7 x 56 drill for internal cable passage.



Art. 33. M3.Tap for rear fork ends.

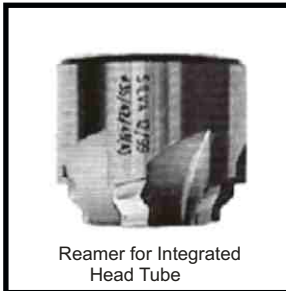


Art. 24. Fixed size Seat Tube Reamers. Available from 22.05 to 32.05mm. Morse Taper 2.



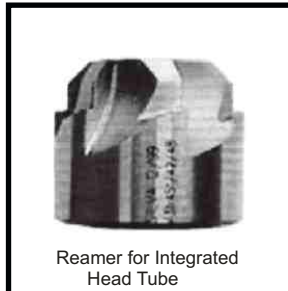
Art. 30. Seat Tube Reamer Diameter 27.2mm.

Art. 31. Seat Tube Reamer. Other diameters 22.05 to 32.05mm



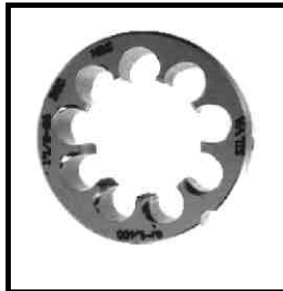
Reamer for Integrated Head Tube

Art. 185 41.05mmx3mmx45°
Art. 384 41.8mmx2.9mmx45°
Art. 389 44.8mmx2.9mmx45°
Art. 435 41.55mmx3mmx36°



Reamer for Integrated Head Tube

Art. 186 41.05mmx7mmx45°
Art. 382 41.8mmx6.9mmx45°
Art. 388 44.8mmx6.9mmx45°
Art. 434 41.55mmx7mmx36°



Art. 56. 1" BSA. HSS Steerer Die.
Art. 400. 1 1/8"
Art. 401. 1 1/4"
Art. 55. 1" ITALIAN



Art. 64/65 BSC.
To fit Art. 48/51 BB Threading Tool. Art. 62. Italian.



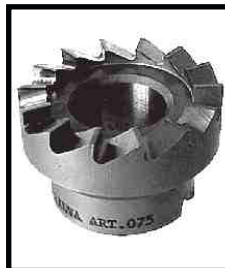
Art. 28
Frame Tube Cutter.
Available from
28.6 to 31.7mm.
Art. 32. Available from
32 to 43mm.



Art. 44. Double Head Tube Cutter. 30.07mm. Art. 405. 33.93mm
Art.406. 37mm. Versions for Alloy Available



Art. 43 - 403 - 404.
Crown Race Cutter
26.4mm - 30mm. 33mm.
403/404 not Campag/Cobra suitable Art. 67.



Art. 75. Bottom Bracket Face
Cutter. Fits Cobra/Campag
Tool. For Art. 48/51 - Specify
Art. 67.



Bottom Bracket Threading Taps
Art. 66. Italian. Art.68. R/H.
Art. 69. L/H. BSA Thread.
Art. 63. French.



Art. 70. 36x24mm. Italian.
BB Threading Machine Taps
Art. 71. R/H. Art. 72. L/H. BSA.




Art. 76. Seat Lug Milling Cutter
(3 piece)

Many cutters compatible with Campagnolo or Cobra originals. Details on Request.

Cutters available with Nitride Coating to Order

ELDI TOOLS

SPANNERS & NUT HOLDERS



Art. 1000. Open Ring Spanner Sizes 6 - 22mm. CV.

Art. 568/T. Set Open Ended Spanners. CV. 8 pieces. 6-22mm.

Art. 570. Set open ended Spanners. CV. 8-15mm.

Art. 2710. Set Ring Spanners. 10-15mm. CV.

Art. 2368/8T. Set 8 ring spanners. 6-17mm. CV.

Art. 2368. Ring Sp. 8x9, 10x11mm. CV.



Drop Forged bright chrome CV. Pedal Spanner.
Art. 61. 15x15mm.
Art. 61b. 15x17mm.
Art. 61d. 15mm.x9/16".

Art. 90. Adjustable Spanner. 100mm. or 150mm. Forged.

Art. 64. 15x15mm.

Art. 72. 13 Holes.

Art. 73. 11 Holes.

Art. 3155. Headset Spanner. Heavy Duty Pressed.

30mm.
32mm.
34mm.
36mm.
40mm.

Art. 63. 15x15mm. Pedal Spanner. Pressed.



Art. 2661. (8,9,10,11mm)
Art. 2661a. (12,13,14,15mm.)
Art. 2661b. (16,17,18,19mm.)

Art. 67. Dumbbell Spanner.

Art. 2220. 12,13,14, 15mm.

Art. 2665. Box Spanner. 14 x 15mm.

Art. 6166. Swivel Spanner. 8x9, 10x11, 12x13mm. CV.

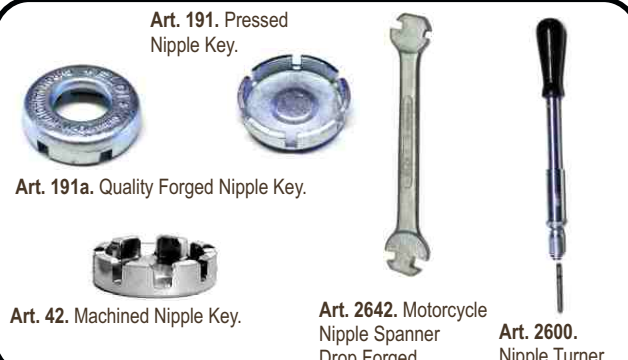
Art. 1123. Socket Set. 14 Sockets. Sixpoints. 4-19mm. 4 - 8mm. 1/4" drive. 9 - 19mm. 3/8" Reversible Ratchet. Spark plug socket. 21mm. Handle 1/4" - 2 Extension bars. Adapter. See Also: Art. 1124.

Art. 2219. Cotterless Crank Wrench. 14/15mm. CV.

Art. 2217. Socket Turner. 300mm. 5-15mm. CV.

Socket Turners:
Art. 2213. 350mm. CV.
Art. 2214. 230mm. CV.

WHEEL BUILDING



Art. 191. Pressed Nipple Key.

Art. 191a. Quality Forged Nipple Key.

Art. 42. Machined Nipple Key.

Art. 2642. Motorcycle Nipple Spanner Drop Forged.

Art. 2600. Nipple Turner.



Art. 2237. Plastic Tyre Lever.

Art. 2606. Steel Section Tyre Lever. 200mm

Art. 2234. Metal Tyre Levers.

Art. 2228. 300mm. Tyre Lever.

ELDI TOOLS

CUTTERS



GRIPS



BOTTOM BRACKET TOOLS



HEX KEYS



ELDI TOOLS

HAMMERS AND PUNCHES

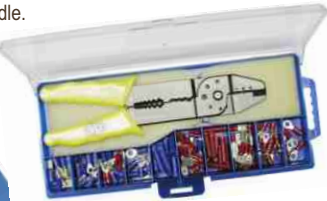


Art. 287.
Rubber
Hammer.
55, 65 or 75mm.

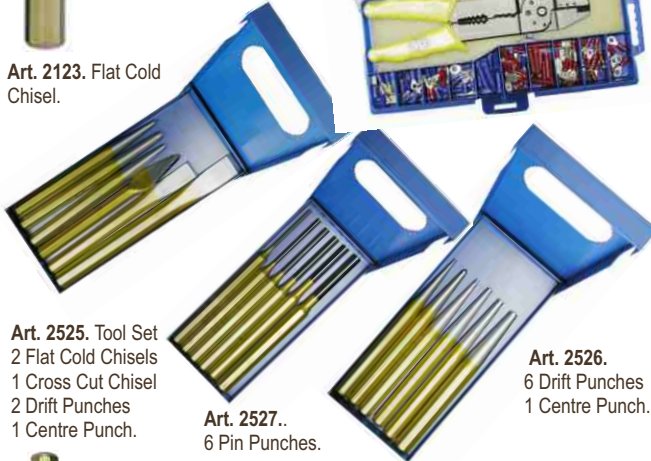


Art. 6133. Plastic Hammer
27, 35 or 50mm. Ashwood
Handle.

Art. 283/10.
Crimping Plier Set



Art. 2123. Flat Cold
Chisel.



Art. 2525. Tool Set
2 Flat Cold Chisels
1 Cross Cut Chisel
2 Drift Punches
1 Centre Punch.

Art. 2527..
6 Pin Punches.

Art. 2132. Centre Punch.

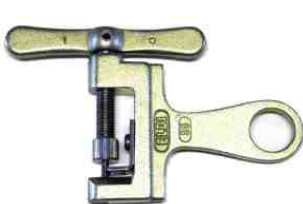


Art. 2254. Letter Punches 4 or 5mm.



Art. 2255. Figure Punches
4 or 5mm.

CHAIN TOOLS



Art. 55. Bench Type Chain Rivet
Extractor.



Art. 50. Chain
Rivet Extractor

TAPS AND HOLDERS



Art. 2300. Pedal Bushes.
For use with Art. 2297
Pedal Reamer. L & R.



Art. 2177. M3, M5, M6 Taps.
See also 2177. Tap Sets
First, Second & Finishing



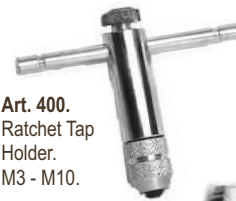
Art. 2311. Tap
Holder. 5 Size
Ranges.



Art. 2269. Stock & Die. 1" x 24 or 26 T.P.I.



Art. 2321.
Adjustable
Reamer.
21-24mm.
24-27mm.
27.5-31.5mm.



Art. 400.
Ratchet Tap
Holder.
M3 - M10.



Art. 2297.
Crank
Reamer Tap.
5/8" x 24.



Art. 2539.
Gear Hanger
Tap. M10x1.



Art. 2295.
Pedal Taps.
9/16" or
1/2" x 20.



Art. 2307 or 2310.
Bottom Bracket
Taps. BSC or It.



Art. 4301. Display of Small
Screwdrivers. 40, 50, 60mm.



Art. 6200. Slot Screwdriver
Various Sizes.



Art. 6107. Reversible
Screwdriver. Slot/Cross



Art. 6201. Cross Slot
Screwdriver. Various Sizes.



Art. 6202. Pozidriver.
Various Sizes.

SCREWDRIVERS

ELDI TOOLS

Bottom Bracket Removers



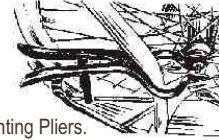
Art. 2303. Campagnolo
Cassette Bottom Bracket
Remover.

Art. 2304. Shimano
BB Remover. Standard.

Art. 2334. Shimano
Cassette Bottom Bracket
Remover. Workshop Quality.



Art. 2655. Cotterless
Crank Remover.



Art. 2693. Dutch Mounting Pliers.
For Dutch Cycles.



Bottom Bracket Removers



Art. 2333. Cassette Remover.
Version for Campagnolo, Shimano, or Fag.

Wire Brushes



Art. 2265A. Brass Wire Brush. 150mm.
Art. 2265M. Brass Wire Brush. 100mm.



Art. 272. Wire Brush. 2,3,4 or 5 rows.



Art. 3521.
Junior Saw.

Art. 1087. Alloy Jaws
100mm. or 150mm.



Sprocket Removers



Art. 2645. Shimano.



Art. 2646. Shimano
Positron/Uniglide.



Art. 2657.
Shimano
Hyperglide.



Art. 2656. Shimano
Dura Ace Remover.



Art. 2649. Shimano
Dura, Maillard,
Suntour.



Art. 2652.
Sachs Huret.



Art. 2651. Suntour
Winner.



Art. 2650. Maillard
or Normandy.



Art. 2648.
TD Cross.



Art. 2644/1. Regina.
Multiple.



Art. 2653. Atom,
Maillard.



Art. 2654. Regina CX.



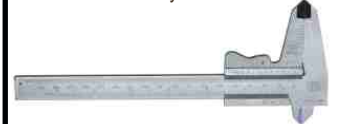
Art. 2644.
Regina up to 3 speed.

Files



Art. 2165. Round. 1st. or 2nd. Cut. 150,200,250 or 300mm.
Art. 2164. Half Round 1st. or 2nd. Cut. 150,200,250 or 300mm.
Art. 2163. Flat. 1st. or 2nd. Cut. 150,200,250, or 300mm.
Art. 2162. Square. 1st. or 2nd. Cut. 150, 200, 250 or 300mm.

Art. 2641. Precision Pocket Vernier.
Stainless Steel.
Art. 541. Economy Version.



Art.160. Third Hand Tool



Art. 2714. Adjustable
Peg Spanner.



Art. 2712. Lockring Wrench.

Art. R036. Wheel Dishing Tool



Hozan Tools



C583
Long
Bladed
Screwdriver.
300mm.



C057 Cone Spanners
Top Quality, forged.



C200 Pedal Spanner
15x15mm. Drop Forged.

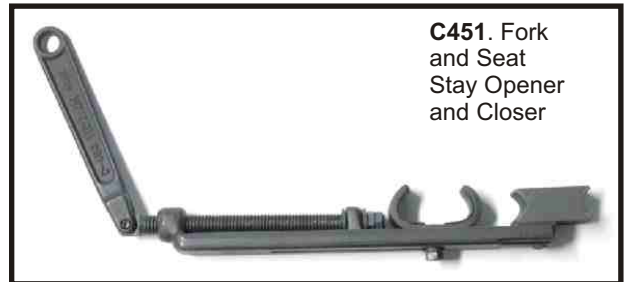
C431 36 x 40mm. Headset
Spanner. Drop Forged.



C503 Cone Spanners.
13, 14, 15 and 16mm.



C336 Gear
Alignment
Tool.



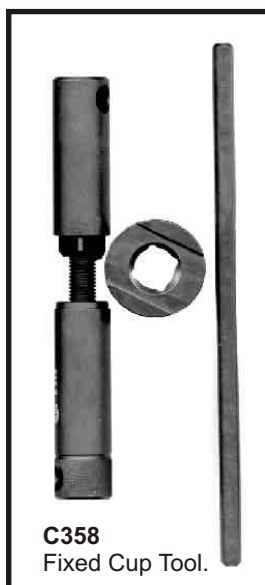
C451. Fork
and Seat
Stay Opener
and Closer



C253
Hub Cone
Adjusting
Plier.



Steerer Thread Tools:
C421. 1" x 24.
C432. 1 1/8" x 26tpi.
Spare Taps available
for 1", 1 1/8", and 1 1/4".



C358
Fixed Cup Tool.



C074. Y-Spanner
11, 13, 14mm.



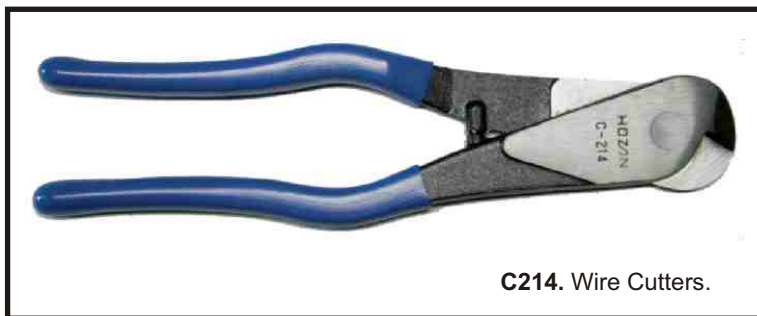
C034 Angle Reamer



C160 Ratchet
Hub/Crank Wrench.
14 and 15mm.

Hozan Tools

All Tools Prefixed with 'E' are ELDI copies of Hozan Tools.



C214. Wire Cutters.



C062 Sprocket Remover. 350mm.



E356. Cable Pulling Pliers. (Fourth hand tool).



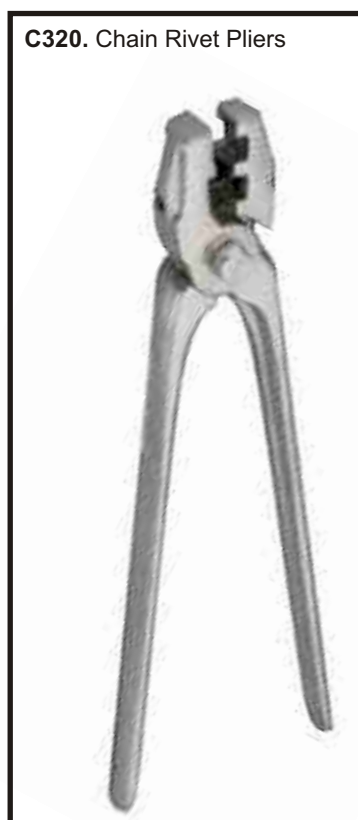
C700 Spoke Threading Machine for Stainless Spokes.
C705 Spare Threading Roller for Stainless.
C917 Spare Threading Roller Heads available.



C203. Headset/Bottom Bracket set pliers.



C330 Wheel Building Stand. Cast.
Accepts wheels 14 to 28". 11 kg



C320. Chain Rivet Pliers



C438. Headpress Tool.
For 3 Sizes